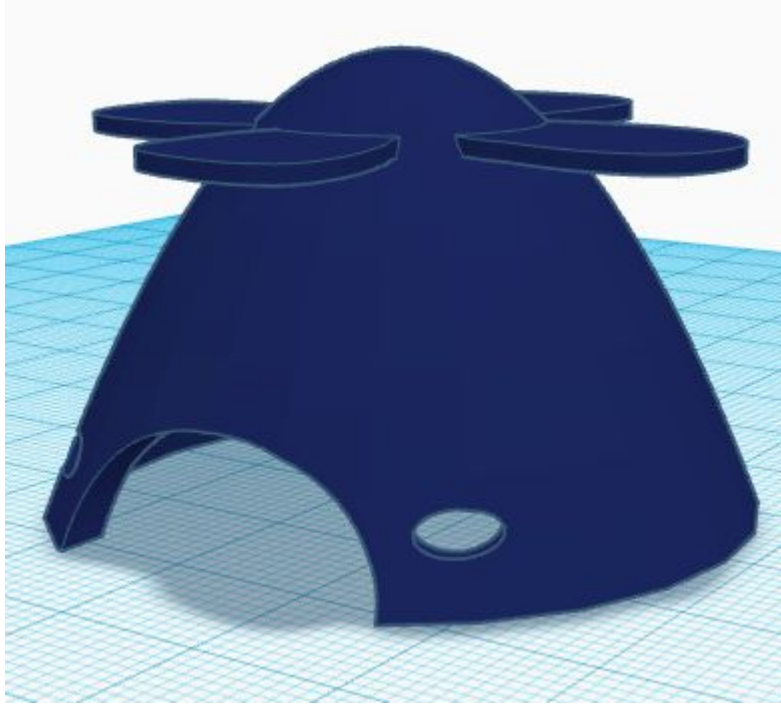
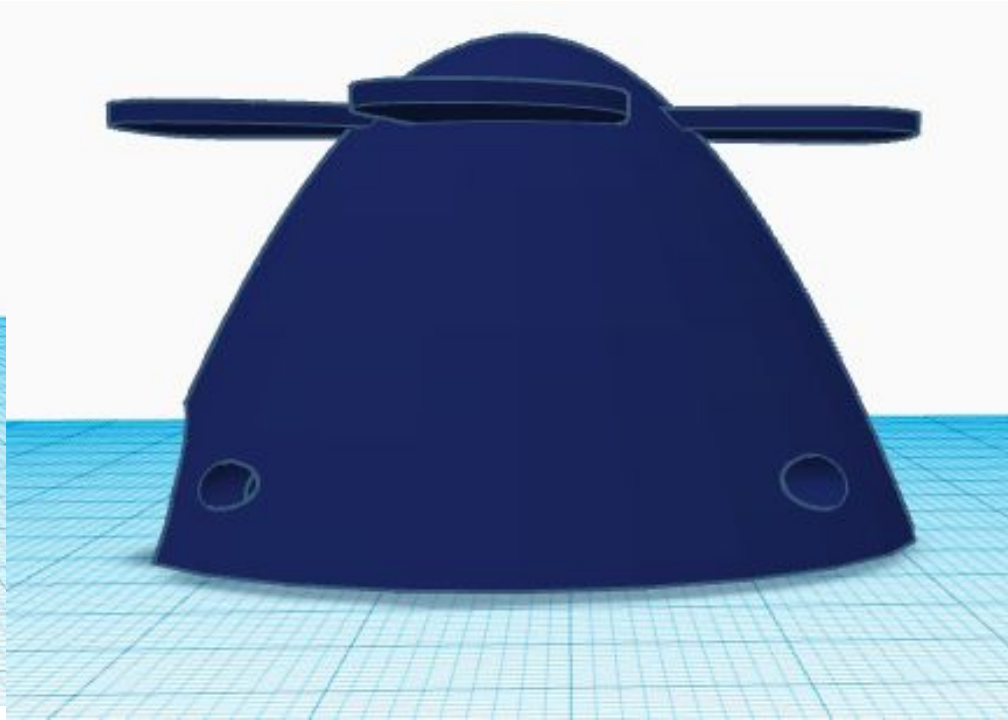
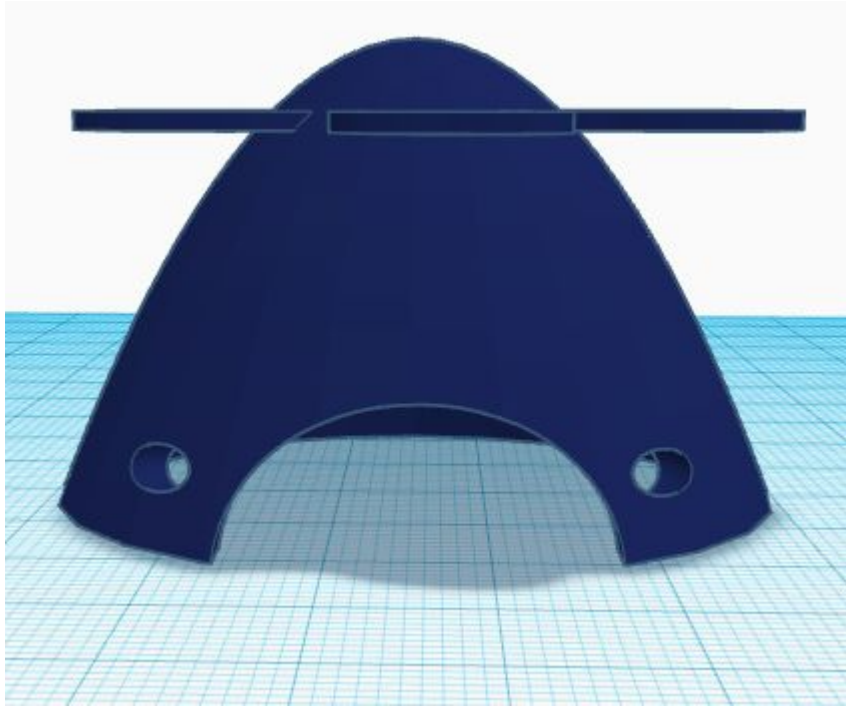


# Perspective view



# Front and Back views



# Top and Bottom views

